

NE 系列高效高转矩三相异步电动机

NE Series High-Efficiency and High-Torque Induction Motors

1THRU 250HP

NEMA 140 THRU 440T

HIGH-EFFICIENCY AND HIGH-TORQUE

Applications: Typical applications include operations where continuous or frequent duty is required. Class F insulated, 1.15 service factor.

Features: Cast iron frames, IP55 protection, double lip seal keeps moisture and contamination. Over size bearing, conduit box fully gasket and ground lug in conduit box. Stainless steel nameplate. C&D face kits available.

Performance Data

HP	Full Load r/min	Frame	Conn.	Code	Current at 460V			Torque			Efficiency			Power Factor		
					Idle	Full load (A)	Locked rotor (A)	Full load (LB-FT)	Locked rotor %	Break down %	Full load %	3/4 load %	1/2 load %	Full load %	3/4 load %	1/2 load %
1	860	182T	2Y/Y	F	2.1	1.8	15	6.25	250	320	74.0	76	73	69.0	56.8	44.3
1	1150	145T	2Y/Y	G	1.24	1.7	15	4.82	300	340	80.0	79.5	77.5	68.0	59.4	46.5
1	1735	143T	2Y/Y	J	0.80	1.5	15	3.13	330	320	82.5	82.4	81.0	77.0	71.2	58.1
1.5	860	184T	2Y/Y	F	2.5	2.8	20	9.38	250	310	74.0	78.0	75.0	69.0	56.0	43.0
1.5	1150	182T	2Y/Y	H	1.49	2.2	20	7.04	290	320	85.5	85.0	83.3	75.0	68.2	55.2
1.5	1735	145T	2Y/Y	H	1.22	2.2	20	4.75	330	300	84.0	83.9	82.6	77.0	71.7	58.4
1.5	3450	143T	2Y/Y	H	0.94	2.0	20	3.34	260	310	82.5	82.1	80.6	84.0	77.5	65.6
2	870	213T	2Y/Y	H	2.25	3.3	25	12.4	270	340	80.0	83.0	81.0	71.0	63.0	50.0
2	1150	184T	2Y/Y	H	1.85	3.0	25	9.38	290	300	86.5	86.1	84.5	75.0	69.1	56.2
2	1735	145T	2Y/Y	G	1.51	2.8	25	6.32	360	280	84.0	84.5	84.0	79.0	75.4	62.9
2	3450	145T	2Y/Y	H	1.20	2.7	25	3.11	280	320	84.0	83.6	82.1	84.0	78.0	66.3
3	870	215T	2Y/Y	H	3.0	4.8	32	18.5	280	340	81.5	85.0	83.5	72.0	66.0	53.0
3	1170	213T	2Y/Y	J	2.63	4.2	32	13.7	280	280	87.5	87.1	85.4	75.0	67.3	54.1
3	1755	182T	2Y/Y	K	2.15	4.1	32	9.22	300	340	87.5	87.4	86.3	82.0	76.8	64.8
3	3510	182T	2Y/Y	J	1.40	3.8	32	4.6	220	330	85.5	86.0	85.4	87.0	85.1	76.2
5	880	254T	2Y/Y	H	5.2	7.5	46	29.8	240	300	85.5	87.4	86.2	73.0	68.0	55.0
5	1165	215T	2Y/Y	H	3.77	7.1	46	23.0	270	250	87.5	87.7	86.9	77.0	72.5	60.0
5	1750	184T	2Y/Y	J	3.17	6.5	46	15.5	310	310	87.5	88.1	87.7	83.0	80.0	68.8
5	3510	184T	2Y/Y	J	1.75	6.1	46	7.6	230	310	87.5	88.0	87.9	88.0	88.5	81.8
7.5	880	256T	2Δ/Δ	D	7.5	11.3	64	44.8	200	290	85.5	88	87.3	73.0	70	58.0
7.5	1170	254T	2Δ/Δ	G	5.20	10.6	64	33.7	240	240	89.5	89.2	87.9	75.0	69.5	57.5

Performance Data

HP	Full Load r/min	Frame	Conn.	Code	Current at 460V			Torque			Efficiency			Power Factor		
					Idle	Full load (A)	Locked rotor (A)	Full load (LB-FT)	Locked rotor %	Break down %	Full load %	3/4 load %	1/2 load %	Full load %	3/4 load %	1/2 load %
7.5	1750	213T	2Δ/Δ	H	3.49	9.4	64	22.9	265	270	89.5	89.9	89.8	84.0	83.2	74.3
7.5	3520	213T	2Δ/Δ	G	2.37	8.9	64	11.4	220	290	88.5	89.1	89.0	89.0	90.6	85.2
10	880	284T	2Δ/Δ	F	9.0	14.3	81	59.7	220	250	88.5	88.6	87.5	74.0	69.0	57.0
10	1170	256T	2Δ/Δ	G	6.83	13.7	81	44.9	240	250	89.5	89.7	88.6	76.0	70.9	58.7
10	1750	215T	2Δ/Δ	G	4.53	12.5	81	30.5	275	265	89.5	90.4	90.5	84.0	85.2	77.6
10	3520	215T	2Δ/Δ	H	2.80	11.6	81	15.2	240	280	89.5	90.1	90.1	89.0	91.5	86.8
15	880	286T	2Δ/Δ	F	15.0	21.5	116	89.5	230	260	88.5	89.4	88.8	74.0	72.0	60.0
15	1175	284T	2Δ/Δ	G	7.80	19.3	116	66.8	230	240	90.2	90.1	89.5	81.0	78.7	68.3
15	1760	254T	2Δ/Δ	G	7.75	18.6	116	4.5	250	240	91.0	90.7	89.8	83.0	81.4	71.4
15	3540	254T	2Δ/Δ	G	4.35	17.6	116	22.4	190	250	90.2	89.6	88.9	89.0	89.0	83.5
20	880	324T	2Δ/Δ	F	19.0	27.5	145	119.4	220	250	89.5	90.2	89.4	76.0	71.5	60.4
20	1175	286T	2Δ/Δ	F	8.35	25.8	145	89.0	220	220	90.2	90.3	90.2	81.0	81.9	73.9
20	1760	256T	2Δ/Δ	G	9.2	24.8	145	60.0	240	230	91.0	91.8	91.5	84.0	85.0	77.6
20	3530	256T	2Δ/Δ	F	5.17	23.2	145	29.8	190	230	90.2	89.6	89.5	90.0	90.8	87.0
25	880	326T	2Δ/Δ	F	24.0	34.4	183	149.2	220	220	89.5	90.5	89.8	76	72.6	61.9
25	1180	324T	2Δ/Δ	F	11.5	31.9	183	111.3	220	220	91.7	91.7	91.2	82.0	80.6	71.7
25	1770	284T	2Δ/Δ	G	10.5	29.6	183	74.6	230	240	92.4	91.7	91.1	86.0	83.4	74.7
25	3550	284TS	2Δ/Δ	F	6.6	28.9	183	37.2	180	240	91.0	91.0	90.7	90.0	89.9	85.1
30	880	364T	2Δ/Δ	F	26.0	39.1	218	179.1	230	200	91.0	91.2	90.4	79.0	74.5	64.0
30	1180	326T	2Δ/Δ	F	14.76	38.0	218	133.5	220	220	91.7	91.8	91.4	83.0	81.1	72.7
30	1770	286T	2Δ/Δ	F	12.00	35.5	218	89.0	230	250	92.4	92.1	91.6	86.0	84.5	76.5
30	3550	286TS	2Δ/Δ	F	7.70	34.5	218	44.6	180	240	91.0	91.1	90.9	90.0	90.2	85.7
40	880	365T	2Δ/Δ	F	27.0	52.1	290	238.8	230	190	91.0	91.6	90.9	79.0	75.2	65.1
40	1180	364T	2Δ/Δ	F	14.30	47.4	290	178.1	220	200	93.0	93.0	92.6	85.0	83.0	75.6
40	1770	324T	2Δ/Δ	E	11.50	47.1	290	118.7	230	240	93.0	92.2	91.1	87.0	83.9	77.8
40	3560	324TS	2Δ/Δ	G	11.80	46.5	290	59.4	180	220	91.7	91.2	90.3	90.0	86.5	79.9
50	885	404T	2Δ/Δ	F	38.0	64.6	363	298.5	230	240	91.7	91.9	91.2	79.0	77.7	68.2
50	1180	365T	2Δ/Δ	F	20.41	59.2	363	222.6	230	200	93.0	93.1	92.8	85.0	84.0	77.5
50	1770	326T	2Δ/Δ	E	13.70	59.2	363	148.4	230	240	93.0	92.1	91.2	87.0	84.1	78.2
50	3560	326TS	2Δ/Δ	F	13.51	58.5	363	74.2	230	240	92.4	91.5	90.7	90.0	87.6	81.9
60	885	405T	2Δ/Δ	F	39.0	77.6	435	358.2	220	230	91.7	92.4	91.6	79.0	77.7	68.0
60	1185	404T	2Δ/Δ	F	21.90	70.0	435	268.3	210	230	93.6	93.7	93.4	86.0	85.2	78.7
60	1775	364T	2Δ/Δ	F	19.00	69.4	435	177.6	230	220	93.6	93.4	92.9	87.0	86.3	80.2
60	3560	364TS	2Δ/Δ	F	12.50	67.5	435	88.8	160	240	93.0	92.3	91.7	90.0	92.1	89.0
75	890	444T	2Δ/Δ	F	45.0	93.2	543	445.2	230	230	93.0	93.2	92.4	81.0	77.0	66.9
75	1185	405T	2Δ/Δ	F	30.24	87.7	543	335.3	220	230	93.6	93.8	93.6	86.0	86.5	81.0

Performance Data

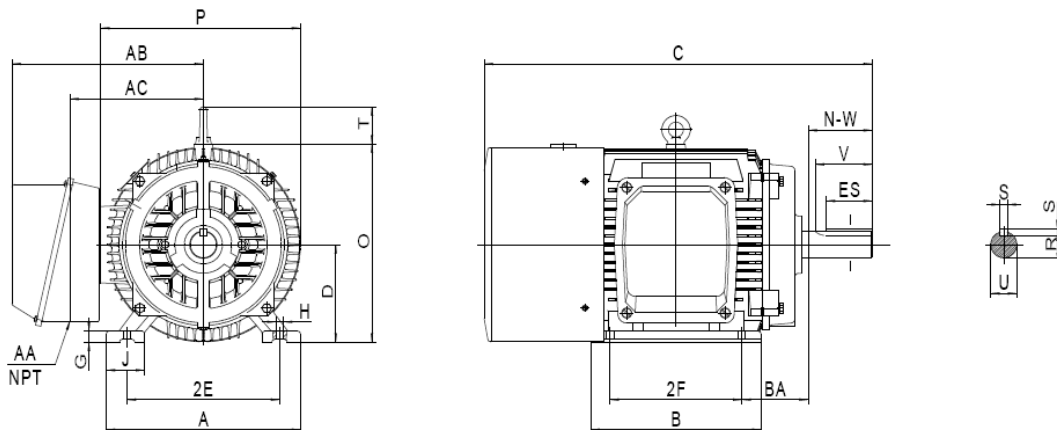
HP	Full Load r/min	Frame	Conn.	Code	Current at 460V			Torque			Efficiency			Power Factor		
					Idle	Full load (A)	Locked rotor (A)	Full load (LB-FT)	Locked rotor %	Break down %	Full load %	3/4 load %	1/2 load %	Full load %	3/4 load %	1/2 load %
75	1775	365T	2Δ/Δ	F	20.50	86.2	543	222	240	220	94.1	93.5	93.2	87.0	87.4	82.4
75	3560	365TS	2Δ/Δ	E	16.50	84.3	543	111	160	250	93.0	92.4	92.0	90.0	92.1	89.9
100	890	445T	2Δ/Δ	F	49.0	124	725	593.6	220	220	93.0	93.5	92.9	81.0	77.7	68.0
100	1180	444T	2Δ/Δ	F	40.20	116	725	445.2	220	220	94.1	94.0	93.4	86.0	85.1	78.7
100	1780	405T	2Δ/Δ	F	30.20	114	725	296.0	230	210	94.5	94.3	93.9	87.0	87.6	82.0
100	3570	405TS	2Δ/Δ	F	26.60	100	725	147.6	200	260	93.6	93.5	93.1	91.0	92.3	89.2
125	890	447T	2-Δ	F	50.0	154	908	742.0	230	220	93.6	93.7	93.0	81.0	77.7	67.8
125	1180	445T	2-Δ	F	48.60	145	908	554.0	220	220	94.1	94.1	93.6	86.0	85.5	79.6
125	1780	444T	2-Δ	F	38.32	141	908	367.9	220	220	94.5	94.4	94.1	88.0	90.8	87.3
125	3575	444TS	2-Δ	F	29.14	137	908	183.7	155	250	94.5	93.9	93.2	91.0	92.7	89.7
150	1180	447T	2-Δ	F	58.70	170	1085	667.8	230	220	95.0	94.5	94.0	87.0	85.3	78.8
150	1780	445T	2-Δ	F	46.20	169	1085	441.5	220	200	95.0	94.6	94.2	88.0	90.9	87.5
150	3575	445TS	2-Δ	F	38.00	164	1085	220.5	160	240	94.5	94.0	93.3	91.0	93.0	90.0
200	1780	447T	2-Δ	F	57.94	223	1450	588.6	220	200	95.0	94.7	94.3	89.0	91.3	88.3
200	3575	447TS	2-Δ	F	49.00	215	1450	295.0	170	240	95.0	94.4	93.9	92.0	94.4	92.9
250	1785	449T	2-Δ	F	49.4	273	1704	735.8	230	200	95	94.8	94.1	90.4	89.0	84.7
250	3580	449TS	2-Δ	F	30.0	260	1719	366.3	170	240	95	95.1	94.5	94.5	94.3	92.7

NOTE: For current at 230V, multiple above values by 2.

外形及安装尺寸 Dimensions

inch

FOOT MOUNTING DIMENSION





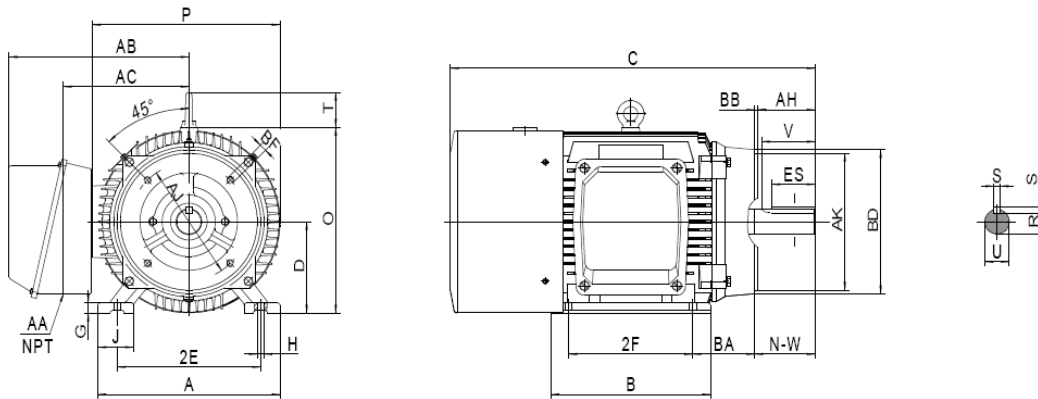
Frame	MOUNTING				A	B	C	D	G	J	L	M	O	P	R	S	T	W	AB	AC	SHAFT EXTENSION			BEARINGS	
	E	F	H	BA																	N-W	U	V	DRIVE END	OPPOSITE DRIVE END
143T	2.75	2.0	0.34	2.25	7.0	6.0	12.5	3.5	0.512	1.45	6.05	3.976	7.7	7.4	0.771	0.188	0	0.14	6.5	4.72	2.25	7/8	2.00	6205	6205
145T	2.75	2.5	0.34	2.25	7.0	6.0	13.5	3.5	0.512	1.45	6.55	4.469	7.7	7.4	0.771	0.188	0	0.14	6.5	4.72	2.25	7/8	2.00	6205	6205
182T	3.75	2.25	0.41	2.75	9.0	6.5	15.3	4.5	0.669	2.04	7.35	4.77	9.0	9.37	0.986	0.250	1.58	0.14	7.48	4.53	2.75	1 1/8	2.50	6306	6306
184T	3.75	2.75	0.41	2.75	9.0	7.5	16.0	4.5	0.669	2.04	7.85	5.276	9.0	9.37	0.986	0.250	1.58	0.14	7.48	4.53	2.75	1 1/8	2.50	6306	6306
213T	4.25	2.75	0.41	3.50	10.5	7.5	19.0	5.25	0.787	2.45	9.25	5.945	10.5	10.9	1.201	0.312	1.97	0.14	8.27	7.09	3.38	1 3/8	3.12	6208	6208
215T	4.25	3.50	0.41	3.50	10.5	9.0	22.5	5.25	0.787	2.45	10.1	6.693	10.5	10.9	1.201	0.312	1.97	0.14	8.27	7.09	3.38	1 3/8	3.12	6208	6208
254T	5.0	4.125	0.53	4.25	12.5	10.8	23.4	6.25	0.866	2.87	10.9	7.992	12.8	13.0	1.416	0.375	2.35	0.14	10.43	8.07	4	1 5/8	3.75	6309	6309
256T	5.0	5.0	0.53	4.25	12.5	12.5	25.1	6.25	0.866	2.87	11.8	8.858	12.8	13.0	1.416	0.375	2.35	0.14	10.43	8.07	4	1 5/8	3.75	6309	6309
284T	5.5	4.75	0.53	4.75	14.0	12.5	28.0	7.0	0.80	2.756	13.75	9.356	14.5	14.1	1.591	0.50	2.35	0.144	13.78	8.46	4.62	1 7/8	4.38	6310	6310
284TS	5.5	4.75	0.53	4.75	14.0	12.5	26.5	7.0	0.80	2.756	13.75	9.356	14.5	14.1	1.416	0.375	2.35	0.144	13.78	8.46	3.25	1 5/8	3.00	6310	6310
286T	5.5	5.5	0.53	4.75	14.0	14.0	29.5	7.0	0.80	2.756	14.5	10.10	14.5	14.1	1.591	0.50	2.35	0.144	13.78	8.46	4.62	1 7/8	4.38	6310	6310
286TS	5.5	5.5	0.53	4.75	14.0	14.0	28.0	7.0	0.80	2.756	14.5	10.10	14.5	14.1	1.416	0.375	2.35	0.144	13.78	8.46	3.25	1 5/8	3.00	6310	6310
324T	6.25	5.25	0.66	5.25	16.0	14.0	30.3	8.0	1.11	2.756	14.55	10.30	16.0	15.63	1.045	0.50	2.50	0.191	14.76	10.63	5.25	2 1/8	5.00	6312	6312
324TS	6.25	5.25	0.66	5.25	16.0	14.0	28.8	8.0	1.11	2.756	14.55	10.30	16.0	15.63	1.591	0.50	2.50	0.191	14.76	10.63	3.75	1 7/8	3.50	6312	6312
326T	6.25	6.0	0.66	5.25	16.0	15.5	31.8	8.0	1.11	2.756	15.3	11.059	16.0	15.63	1.845	0.50	2.50	0.191	14.76	10.63	5.25	2 1/8	5.00	6312	6312
326TS	6.25	6.0	0.66	5.25	16.0	15.5	30.3	8.0	1.11	2.756	15.3	11.059	16.0	15.63	1.591	0.50	2.50	0.191	14.76	10.63	3.75	1 7/8	3.50	6312	6312
364T	7.0	5.625	0.66	5.88	18.0	15.5	33.15	9.0	1.25	2.953	15.765	11.3	18.25	17.56	2.021	0.625	2.50	0.205	16.14	12.60	5.88	2 3/8	5.62	6314	6314
364TS	7.0	5.625	0.66	5.88	18.0	15.2	31.02	9.0	1.25	2.953	15.765	11.3	18.25	17.56	1.591	0.50	2.50	0.205	16.14	12.60	3.75	1 7/8	3.50	6314	6314
365T	7.0	6.125	0.66	5.88	18.0	16.2	34.15	9.0	1.25	2.953	16.265	11.8	18.25	17.56	2.021	0.625	2.50	0.205	16.14	12.60	5.88	2 3/8	5.62	6314	6314
365TS	7.0	6.125	0.66	5.88	18.0	16.2	32.02	9.0	1.25	2.953	16.265	11.8	18.25	17.56	1.591	0.50	2.50	0.205	16.14	12.60	3.75	1 7/8	3.50	6314	6314



Frame	MOUNTING				A	B	C	D	G	J	L	M	O	P	R	S	T	W	AB	AC	SHAFT EXTENSION			BEARINGS	
	E	F	H	BA																	N-W	U	V	DRIVE END	OPPOSITE DRIVE END
404T	8.0	6.125	0.81	6.62	20.0	16.2	37.0	10.0	1.34	3.15	17.005	12.58	20.0	19.0	2.45	0.75	2.50	0.165	18.11	12.20	7.25	2 7/8	7.00	6316	6316
404TS	8.0	6.125	0.81	6.62	20.0	16.2	34.0	10.0	1.34	3.15	17.005	12.58	20.0	19.0	1.845	0.50	2.50	0.165	18.11	12.20	4.25	2 1/8	4.00	6316	6316
405T	8.0	6.875	0.81	6.62	20.0	17.8	38.5	10.0	1.34	3.15	17.755	13.33	20.0	19.0	2.45	0.75	2.50	0.165	18.11	12.20	7.25	2 7/8	7.00	6316	6316
405TS	8.0	6.875	0.81	6.62	20.0	17.8	35.5	10.0	1.34	3.15	17.755	13.33	20.0	19.0	1.845	0.50	2.50	0.165	18.11	12.20	4.25	2 1/8	4.00	6316	6316
444T	9.0	7.25	0.81	7.5	22.0	18.5	42.75	11.0	1.38	3.35	19.5	14.4	21.75	21.6	2.88	0.875	2.91	0.35	19.49	14.76	8.5	3 3/8	8.25	NU318	6316
444TS	9.0	7.25	0.81	7.5	22.0	18.5	39.0	11.0	1.38	3.35	19.5	14.1	21.75	21.6	2.021	0.625	2.91	0.65	19.49	14.76	4.75	2 3/8	4.50	6316	6316
445T	9.0	8.25	0.81	7.5	22.0	20.5	44.75	11.0	1.38	3.35	20.5	15.4	21.75	21.6	2.88	0.875	2.91	0.35	19.49	14.76	8.5	3 3/8	8.25	NU318	6316
445TS	9.0	8.25	0.81	7.5	22.0	20.5	41.0	11.0	1.38	3.35	20.5	15.1	21.75	21.6	2.021	0.625	2.91	0.65	19.49	14.76	4.75	2 3/8	4.50	6316	6316
447T	9.0	10.0	0.81	7.5	22.0	24.0	48.25	11.0	1.38	3.35	22.25	17.15	21.75	21.6	2.88	0.875	2.91	0.35	19.49	14.76	8.5	3 3/8	8.25	NU320	6316
447TS	9.0	10.0	0.81	7.5	22.0	24.0	44.5	11.0	1.38	3.35	22.25	16.85	21.75	21.6	2.021	0.625	2.91	0.65	19.49	14.76	4.75	2 3/8	4.50	6316	6316
449T	9.0	12.5	0.81	7.5	22.0	29.0	53.25	11.0	1.0	3.15	24.75	19.65	21.75	21.6	2.88	0.875	4.25	0.35	19.49	14.76	8.5	3 3/8	8.25	NU320	6316
449TS	9.0	12.5	0.81	7.5	22.0	29.0	49.5	11.0	1.0	3.15	24.75	19.35	21.75	21.6	2.021	0.625	4.25	0.65	19.49	14.76	4.75	2 3/8	4.50	6316	6316
447TZ	9.0	10.0	0.81	7.5	22.0	24.0	50.0	11.0	1.38	3.35	22.25	17.15	21.75	21.6	2.88	0.875	2.91	0.35	19.49	14.76	10 1/8	3 3/8	9.875	NU320	6316
449TZ	9.0	12.5	0.81	7.5	22.0	29.0	55.0	11.0	1.0	3.15	24.75	19.35	21.75	21.6	2.88	0.875	4.25	0.35	19.49	14.76	10 1/8	3 3/8	9.875	NU320	6318

ALL DATA SUBJECT TO CHANGE WITHOUT NOTICE. USE ONLY CERTIFIED DATA FOR CONSTRUCTION PURCHASES.

TEFC C-FACE MOUNTING DIMENSIONS



FRAME	AJ	AK	BA	MIN BB	BC	MAX BD	NUMBER OF HOLE	SCREW	DEPTH OF HOLE	U	AH	R	ES	S
143T 145TC	5.875	4.500	2.75	0.16	0.12	6.50	4	3/8-16	0.56	0.875	2.12	0.771	1.41	0.188
182TC.184TC	7.250	8.500	3.50	0.25	0.12	9.00	4	1/2-13	0.75	1.125	2.62	0.986	1.78	0.250
213TC.215TC	7.250	8.500	3.50	0.25	0.25	9.00	4	1/2-13	0.75	1.375	3.12	1.201	2.41	0.312
254TC.256TC	7.250	8.500	4.75	0.25	0.25	10.00	4	1/2-13	0.75	1.625	3.75	1.416	2.91	0.375
284TC.286TC	9.000	10.500	4.75	0.25	0.25	11.25	4	1/2-13	0.75	1.875	4.38	1.591	3.28	0.500
284TSC.286TSC	9.000	10.500	4.75	0.25	0.25	11.25	4	1/2-13	0.75	1.625	3.00	1.416	1.91	0.375
324TC.326TC	11.000	12.500	5.25	0.25	0.25	14.00	4	5/8-11	0.94	2.125	5.00	1.845	3.91	0.500
324TSC.326TSC	11.000	12.500	5.25	0.25	0.25	14.00	4	5/8-11	0.94	1.875	3.50	1.591	2.03	0.500
364TC.365TC	11.000	12.500	5.88	0.25	0.25	14.00	8	5/8-11	0.94	2.375	5.62	2.021	4.28	0.625
364TSC.365TSC	11.000	12.500	5.88	0.25	0.25	14.00	8	5/8-11	0.94	1.875	3.50	1.591	2.03	0.500
404TC.405TC	11.000	12.500	6.62	0.25	0.25	15.50	8	5/8-11	0.94	2.875	7.00	2.450	5.65	0.750
404TSC.405TSC	11.000	12.500	6.62	0.25	0.25	15.50	8	5/8-11	0.94	2.125	4.00	1.845	2.78	0.500
444TC.445TC	14.000	16.000	7.50	0.25	0.25	18.00	8	5/8-11	0.94	3.375	8.25	2.880	6.91	0.875
444TSC.445TSC	14.000	16.000	7.50	0.25	0.25	18.00	8	5/8-11	0.94	2.375	4.50	2.021	3.03	0.625
447TC.449TC	14.000	16.000	7.50	0.25	0.25	18.00	8	5/8-11	0.94	2.375	8.25	2.880	6.91	0.875
447TSC.449TSC	14.000	16.000	7.50	0.25	0.25	18.00	8	5/8-11	0.94	2.375	4.50	2.021	3.03	0.625

NOTE:

1. Tolerance on dimension D: +0.00inch, -1/32 inch for frame 143~326; +0.00 inch -1/16 inch for frames 364~449.
2. Tolerance on shaft diameter U: +0.0000 inch, -0.0005 inch for frames 143~215; +0.000 inch, 0.001 inch for frame 254~449.
3. Tolerance on dimension R: +0.000 inch, -0.015 inch.
4. Dimension V is length of straight part shaft.
5. The conduit box can be rotated 90° increments so that conduit can be received from any direction. Conduit box can be located on either side of the motor.
6. The last letter "Z" designated suitability for belt drive application.